

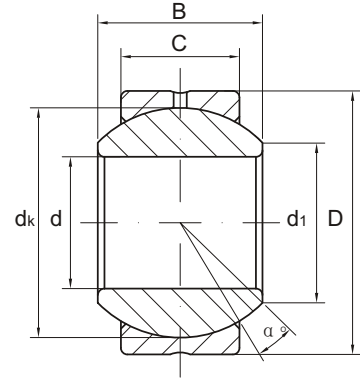
Radial spherical plain bearings G..PB



向心关节轴承

Maintenance required 需润滑

- Outer ring in bronze.
- Outer ring pressed around inner ring.
- Lubricating holes in outer ring.
- 外圈材料为青铜。
- 外圈挤压成型。
- 外圈有润滑油孔。



Part No. 型号	Dimensions 尺寸mm							Load ratings 负荷KN		Weight 重量Kg
	d	d ₁	B	C	D	d _k	α ≈	dyn. 动 C _d	stat. 静 C _s	
G 5 PB	5	7.7	8	6	13	11.112	13	6.4	15	0.007
G 6 PB	6	8.9	9	6.75	16	12.70	13	8.3	19	0.01
G 8 PB	8	10.3	12	9	19	15.875	13	13	31	0.016
G 10 PB	10	12.9	14	10.5	22	19.05	13	19	43	0.031
G 12 PB	12	15.4	16	12	26	22.225	13	24	58	0.065
G 14 PB	14	16.8	19	13.5	28	25.40	15	31	74	0.09
G 16 PB	16	19.3	21	15	32	28.575	15	39	92	0.10
G 18 PB	18	21.8	23	16.5	35	31.75	15	48	112	0.125
G 20 PB	20	24.3	25	18	40	34.925	15	57	135	0.18
G 22 PB	22	25.8	28	20	42	38.10	15	71	164	0.21
G 25 PB	25	29.5	31	22	47	42.86	15	87	203	0.295
G 30 PB	30	34.8	37	25	55	50.80	15	116	273	0.425
G 35 PB	35	37.7	43	28	62	57.15	16	147	344	0.50
G 40 PB	40	45.2	49	33	75	66.67	17	202	473	0.90
G 50 PB	50	56.6	60	45	90	82.50	12	341	798	1.64